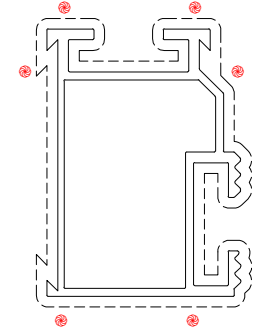


M (2 : 1)

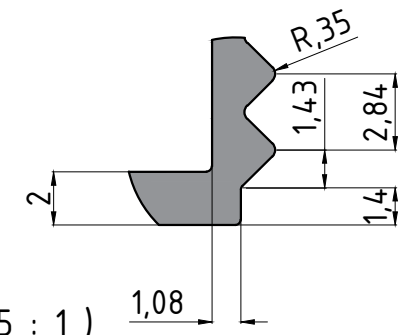
Revision List		
R.No	Date	Mention
△		
△		
△		
△		

Profile Details
Circumscribing Circle: 61,12 mm



Scale - 1:1


1. and 2. Degree Visible Surfaced
 [1] - - - - - [2] - - - - -
 * Marked places may have heat lines



M (5 : 1)

Extra Informations
 * Material : EN AW 6060
 * Temper : T66
 * Tolerance : TS EN 755-9

Profile No	Customer Die No.	Scale			
GCC1634		2 : 1			
	Customer ID.	5 : 1			
	Ref. / Prjct No.				
	Temporary Die No				
Profile Information	Description	Name Surname	Profession	Date	Sign
Area	308,766 mm ²	Drawing	Eylül NAMLİ	Dsgn. Eng.	30.03.2023
Perimeter	396,419 mm	Control	Gülçin ONGÜN	Prdct. Mngr.	30.03.2023
Theoretical Weight	0,837 kg/m	Confirm	Bedri AKYÜZ	Gnrl. Mngr.	30.03.2023



NOR
ALUMİNYUM

Radius List	
Unspecified Radius: 0.2mm	Unspecified Thickness: 1.0mm
* 1.0 mm	& 0.3 mm
# 2.0 mm	% 0.4 mm
+ 3.0 mm	° 0.5 mm

A 3